



**CMO VALVES**  
manufacturing the valve you need

# 51A SERIES



## FABRICATION RANGE *AIR RELEASE VALVES*

### UTILIZATION:

Triple effect air release valves to evacuate the air in full tubes, for the admission of the air during empty tubes and for the clearance of air during the normal function of the installation.

# 51 - SERIES

## AIR RELEASE VALVES



### MAIN FEATURES:

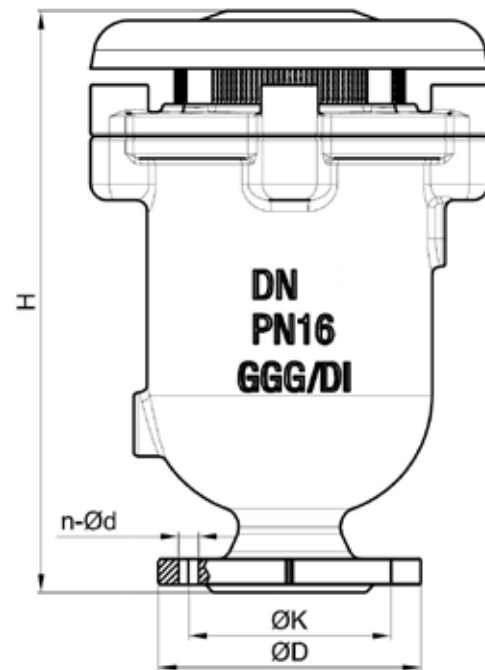
- 100% Water tight.
- Stainless steel purge.
- WRAS certificate for drinking water.
- Working temperature between -10°C and 90°C.

### STANDARDS APPLIED:

- Hydrostatic tests according to EN 12266-1, class A.
- EC Directive.
- Construction according to EN 1074-4 and AWWA C512.
- Flange according to ISO 7005-2.

### WEIGHTS

DN	Kg.
50	9
80	20
100	26
150	45
200	75
300	175



### DIMENSIONS

DN	H	D			K			n-Ød		
		PN10	PN16	PN25	PN10	PN16	PN25	PN10	PN16	PN25
50	280	165	165	165	125	125	125	4-Ø19	4-Ø19	4-Ø19
80	362	200	200	200	160	160	160	8-Ø19	8-Ø19	8-Ø19
100	395	220	220	235	180	180	190	8-Ø19	8-Ø19	8-Ø23
150	485	285	285	300	240	240	250	8-Ø23	8-Ø23	8-Ø28
200	582	340	340	360	295	295	310	8-Ø23	12-Ø23	12-Ø28
300	750	445	460	485	400	410	430	12-Ø23	12-Ø28	16-Ø31

The images and drawings are non contractual.  
The specifications of the shown products could vary without previous notice.

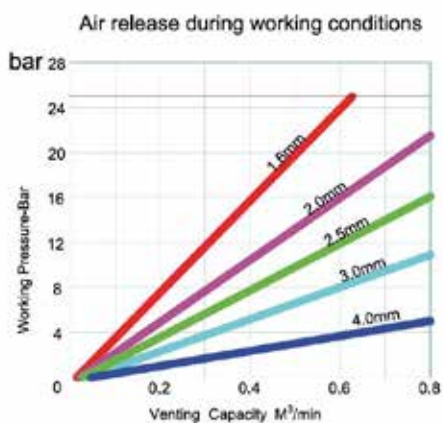
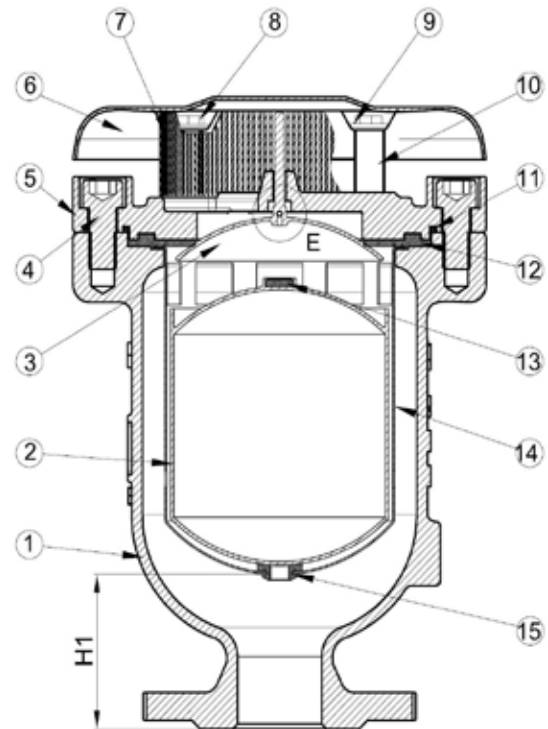
# 51 - SERIES

## AIR RELEASE VALVES



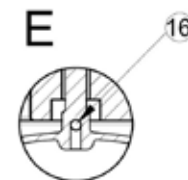
### DESCRIPTION:

		MATERIAL
1	BODY	GJS500
2	FLOAT	AISI 304
3	SEALING ARC	AISI 304
4	BOLTS	ACERO 8.8
5	BONNET	GJS500
6	DEFLECTOR	STEEL Q235A
7	SCREEN	AISI 304
8	BOLTS	STEEL 8.8
9	WASHERS	STEEL 8.8
10	PILLAR	ALUMINUM
11	O-RINGS	NBR
12	SEAT	EPDM
13	PURGE SEAT	EPDM
14	GUIDE	AISI 304
15	SUPPORT	EPDM
16	PURGE	AISI 304
	PAINTING RAL 5015	Epoxy 250 $\mu$ m



### Purge orifice

DN	Ø orifice (mm)
50	1.6
80	2
100	2.5
150	3
200	4
300	4



# 51 - SERIES

## AIR RELEASE VALVES



### ADMISION AND RELEASE AIR FLOW

