



CMO VALVES
manufacturing the valve you need

23A SERIES



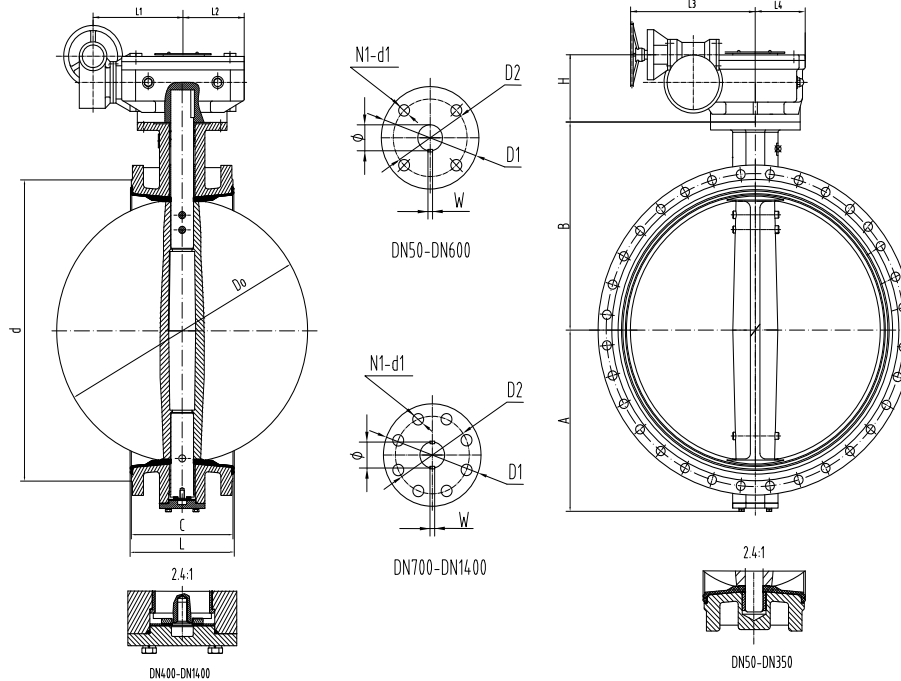
FABRICATION RANGE *DOUBLE FLANGE BUTTERFLY VALVES*

UTILIZATION:

- Double flange butterfly valve used for regulation and flow sectioning in water supply facilities, plumbing, irrigation, etc.
- It has low head loss due to a hydrodynamic design of the disc, it is 100% water tight and need no gaskets to be installed.

SERIES - 23

DOUBLE FLANGE BUTTERFLY VALVES



DIMENSIONS

DN	A	B	H	Do	C	L	d	D1	D2	N1-d1	Φ	W	L1	L2	L3	L4	Kg. PN10	Kg. PN16
50	80	120	40	53	108	111	99	65	50	4-7	12.6	3	45	53	155	53	7.6	7.6
65	89	130	40	64	112	115	118	65	50	4-7	12.6	3	45	53	155	53	9.7	9.7
80	95	145	40	79	114	117	132	65	50	4-7	12.6	3	45	53	155	53	10.6	10.6
100	114	155	40	104	127	130	156	90	70	4-10	15.77	5	45	53	155	53	13.8	13.8
125	125	170	40	123	140	143	184	90	70	4-10	18.92	5	45	53	155	53	18.2	18.2
150	139	190	40	156	140	143	211	90	70	4-10	18.92	5	45	53	155	53	21.7	21.7
200	170	205	40	202	152	155	266	125	102	4-12	22.1	5	63	76	235	76	31.8	31.8
250	198	235	40	250	165	168	319	125	102	4-12	28.45	8	63	76	235	76	44.7	44.7
300	223	280	46	302	178	182	370	125	102	4-12	31.6	8	78	78	225	78	57.9	59
350	254	310	46	333	190	194	429	150	125	4-14	31.6	8	78	78	225	78	81.6	86
400	306	340	112	340	216	221	480	175	140	4-18	37.95	10	181	104	254	104	106	119
450	345	375	112	441	222	227	548	175	140	4-18	42.86	12	181	104	254	104	147	165
500	378	430	112	492	229	234	609	175	140	4-18	45.72	14	181	104	254	104	165	185
600	440	500	130	592	267	272	720	210	165	4-22	53.98	16	200	131	301	131	235	263
700	510	560	167	694	292	299	794	300	254	8-18	63.35	18	228	146	355	146	238	361
800	560	620	167	795	318	325	901	300	254	8-18	70	20	228	146	355	146	475	484
900	638	685	173	864	330	337	1001	300	254	8-18	80	22	243	170	403	170	595	598
1000	705	735	173	964	410	417	1112	300	254	8-18	90	25	243	170	403	170	794	824
1200	815	917	231	1159	470	478	1328	350	298	8-22	105	28	302	250	491	180	1290	1223

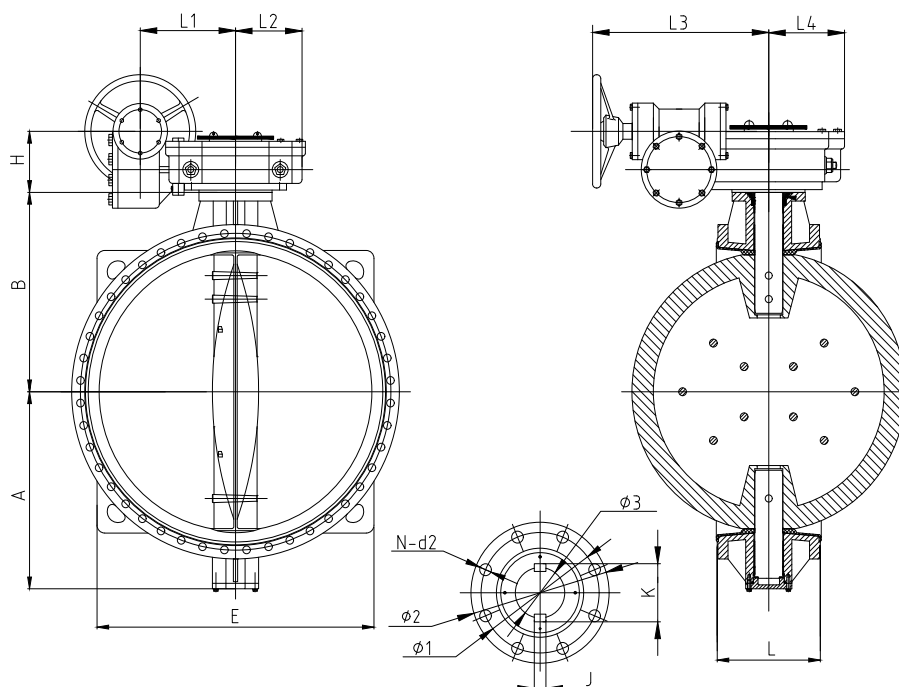


CMO VALVES
manufacturing the valve you need

Amategui Aldea, 142 - 20400 Tolosa - Guipuzcoa (Spain)
(+34) 943 67 33 99 - cmo@cmovalves.com - www.cmovalves.com

SERIES - 23

DOUBLE FLANGE BUTTERFLY VALVES

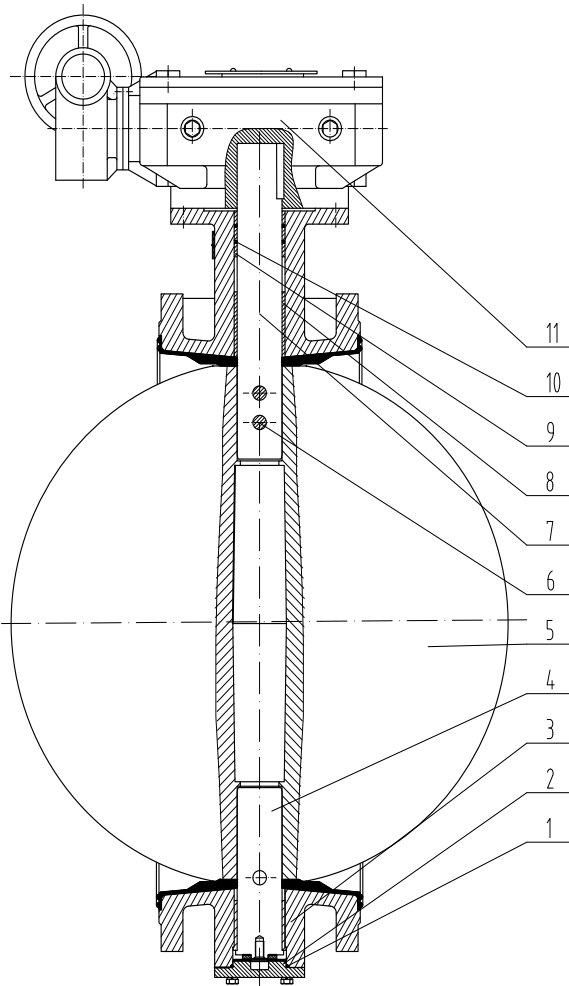


DIMENSIONS

DN	A	B	H	E	L	φ1	φ2	N2-d2	φ3	K	J	L1	L2	L3	L4	Kg. PN10	Kg. PN16
1400	918	1040	292	1410	530	356	415	8-33	120	134	32	370	320	600	230	2130	2386
1600	1110	1150	310	1630	600	356	415	8-33	140	156	36	448	425	665	316	3560	4055
1800	1255	1270	327	1800	670	406	475	8-40	160	178	40	461	475	715	360	4620	5570
2000	1350	1323	438	1960	760	406	475	8-40	160	178	40	695	562	980	405	6160	7240
2200	1430	1500	438	2150	636	483	560	12-40	180	200	45	695	562	980	405	6730	7900
2400	1523	1560	462	2330	750	603	686	20-40	220	242	50	831	714	1056	438	9586	11600

SERIES - 23

DOUBLE FLANGE BUTTERFLY VALVES



The images and drawings are non contractual.
The specifications of the shown products could vary without previous notice.

DESCRIPTION

1	O-RING	NBR
2	BONNET	GJS400
3	BODY	GJS400
4	LOWER SHAFT	AISI 420
5	DISC	CF8M
6	PIN	AISI 420
7	UPPER SHAFT	AISI 420
8	LONG BUSH	BRONZE
9	SHORT BUSH	BRONZE
10	O-RING	NBR
11	GEAR BOX	GJL250
PAINTING RAL 5015		Epoxy 250 µm

GENERAL FEATURES:

- Low head loss.
- Vulcanized seat that avoids the contact between fluid and cast iron, avoiding corrosion and damages.
- 100% water tight.
- Bidirectional flow.
- Polished disc borders to avoid damage in the seat.
- No gaskets needed for installation.
- Max. working pressure 10 or 16 bar according to PN.
- Working temperature between -10°C and 90°C.

STANDARDS APPLIED:

- Hydrostatic tests according to EN 12266-1, class A.
- EC directive.
- Side flanges according to ISO 7005-2.
- Distance between flanges according to EN 558 series 13.
- Top flange according to ISO 5211.

TORQUES (N·m)

DN		50	65	80	100	125	150	200	250	300	350	400	450	500	600	700	800	900	1000	1200
PN10	Bare shaft	17	25	38	56	90	124	233	392	560	736	1011	1355	1807	2825	4410	5812	7092	10584	16935
	Gearbox	25	25	25	25	25	25	50	50	80	80	60	60	60	70	130	130	210	210	360
PN16	Bare shaft	17	25	38	56	90	124	233	392	560	988	1479	1887	2444	4054	6204	8782	12142	16122	26984
	Gearbox	25	25	25	25	25	25	50	50	80	80	60	60	60	70	130	130	210	210	360



CMO VALVES
manufacturing the valve you need

Amategui Aldea, 142 - 20400 Tolosa - Guipuzcoa (Spain)
(+34) 943 67 33 99 - cmo@cmovalves.com - www.cmovalves.com