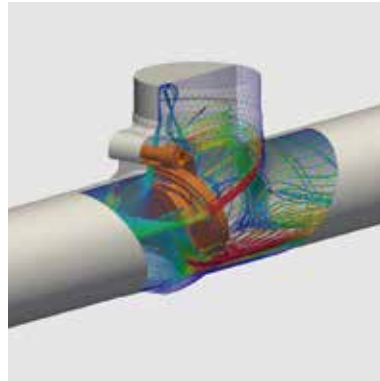




CMO VALVES
manufacturing the valve you need

32A SERIES



FABRICATION RANGE METAL SWING CHECK VALVES

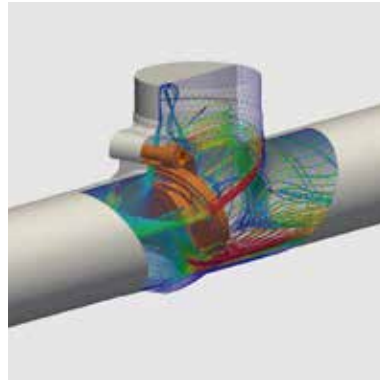
UTILIZATION:

- Swing check valves used to stop the return of the fluid in case of a lack of pressure, designed to work both with clean and dirty waters.
- Lever and counterweight can be added for a slow and safe closing.



32 - SERIES

METAL SWING CHECK VALVES



MAIN FEATURES:

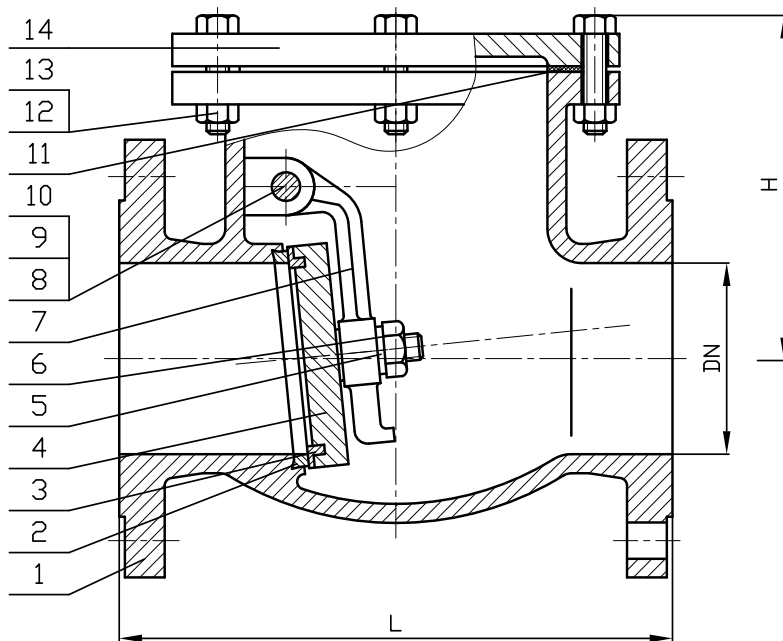
- Stainless steel bolts.
- WRAS certificate for drinking water.
- Max. working pressure according to design pressure PN10/16.
- Working temperature between -10°C and 90°C.

STANDARDS APPLIED:

- Hydrostatic tests according to EN 12266-1.
- EC Directive.
- Distance between flanges according to DIN 3202 F6.
- Side flanges according to ISO 7005-2.

DIMENSIONS

| DN | L | H |
|-----|-----|-----|
| 50 | 200 | 137 |
| 65 | 240 | 147 |
| 80 | 260 | 159 |
| 100 | 300 | 180 |
| 125 | 350 | 203 |
| 150 | 400 | 223 |
| 200 | 500 | 258 |
| 250 | 600 | 290 |
| 300 | 700 | 325 |



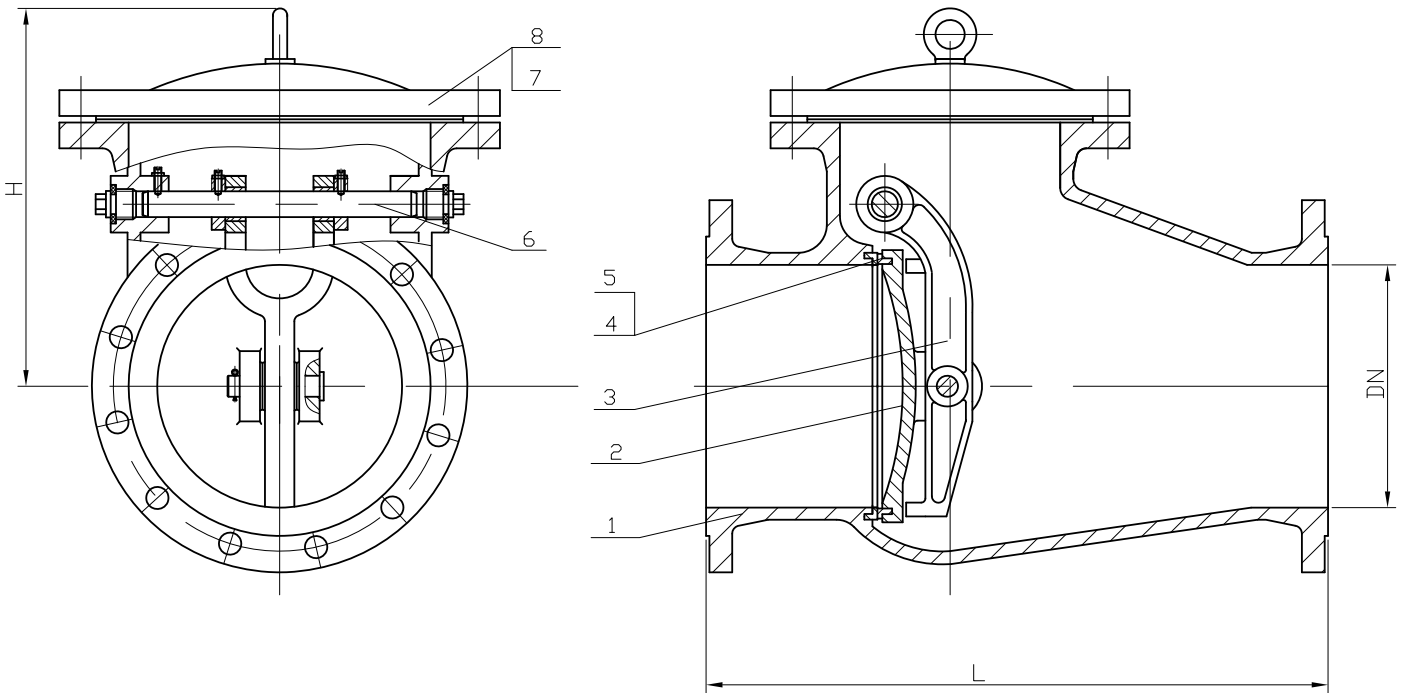
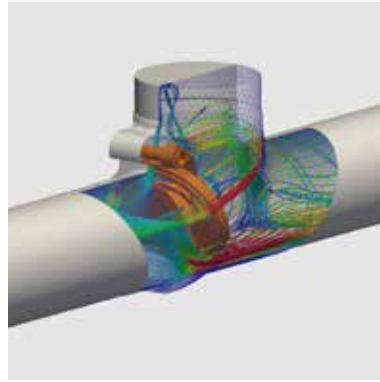
DESCRIPTION

| | | |
|----|-------------------|--------------|
| 1 | BODY | GJS500 |
| 2 | BODY SEAT RING | BRONZE |
| 3 | DISK SEAT RING | BRONZE |
| 4 | DISC | GJS500 |
| 5 | WASHER | A3 |
| 6 | LOCKING NUT | A3 |
| 7 | ARM | GJS500 |
| 8 | HING PIN | AISI 420 |
| 9 | PLUG | A3 |
| 10 | GASKET | NYL |
| 11 | GASKET | NBR |
| 12 | BOLT | A3 |
| 13 | NUT | A3 |
| 14 | BONNET | GJS500 |
| | PAINTING RAL 5015 | Epoxy 250 µm |

The images and drawings are non contractual.
The specifications of the shown products could vary without previous notice.

32 - SERIES

METAL SWING CHECK VALVES



| DESCRIPTION | | |
|-------------|-------------------|-------------------|
| 1 | BODY | GJS500 |
| 2 | DISC | GJS500 |
| 3 | ARM | GJS500 |
| 4 | DISC SEAT RING | BRONZE |
| 5 | BODY SEAT RING | BRONZE |
| 6 | SHAFT | AISI 420 |
| 7 | BONNET | GJS500 |
| 8 | GASKET | EPDM |
| | PAINTING RAL 5015 | Epoxy 250 μ m |

DIMENSIONS

| DN | L | H |
|------|------|------|
| 350 | 800 | 482 |
| 400 | 900 | 544 |
| 450 | 1000 | 595 |
| 500 | 1100 | 650 |
| 600 | 1300 | 704 |
| 700 | 1500 | 830 |
| 800 | 1700 | 950 |
| 900 | 1900 | 1025 |
| 1000 | 2100 | 1125 |