



CMO VALVES
manufacturing the valve you need

35A SERIES



FABRICATION RANGE AXIAL CHECK VALVES

UTILIZATION:

- Axial check valves used to stop the return of the fluid in case of a lack of pressure, designed to avoid water hammer.
- It is 100% Water tight.

SERIE - 35

AXIAL CHECK VALVES

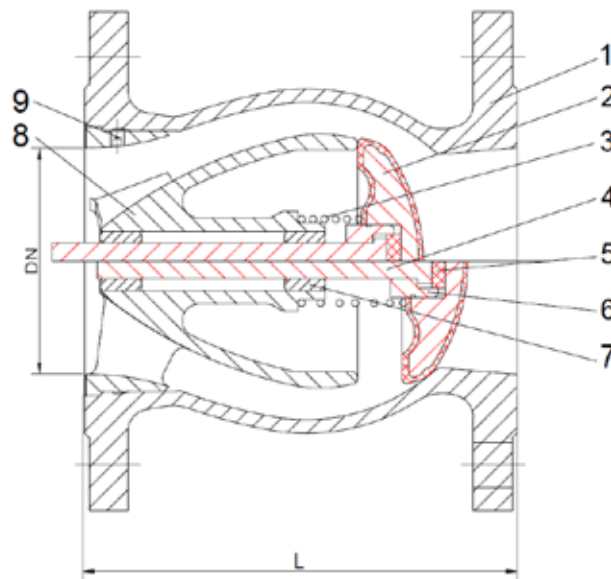


MAIN FEATURES:

- 100% water tight.
- Stainless steel bolts.
- WRAS certificate for drinking water.
- Max. working pressure according to design pressure PN10/16.
- Working temperature between -10°C and 90°C.

STANDARDS APPLIED:

- Hydrostatic tests according to EN 12266-1, class A.
- EC Directive.
- Distance between flanges according to EN 558-1 series 14.
- Side flanges according to ISO 7005-2.



DIMENSIONS

DN	L	Weight
50	150	6.2
65	170	9.1
80	180	11.3
100	190	14.5
125	200	18.3
150	210	25.5
200	230	38.5
250	250	57.0
300	270	73.0
350	290	109.0

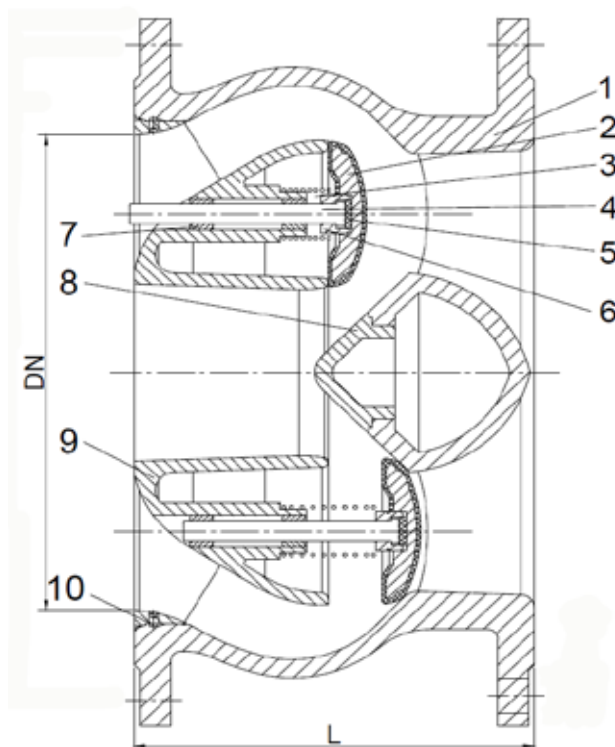
DESCRIPTION

1	BODY	GJS500
2	DISC	GJS500+EPDM
3	SPRING	AISI 304/316
4	SHAFT	AISI 420/304/316
5	WASHER	EPDM
6	NUT	AISI 420/304
7	BUSHING	BRONZE
8	DIFUSER	GJS500
9	BOLTS	A2
	PAINTING RAL 5015	Epoxy 250 µm

The images and drawings are non contractual.
The specifications of the shown products could vary without previous notice.

SERIE - 35

AXIAL CHECK VALVES



DIMENSIONS

DN	L	Weight
400	310	145.0
450	330	168.0
500	350	235.0
600	390	346.0

DESCRIPTION

1	BODY	GJS500
2	DISC	GJS500+EPDM
3	SPRING	AISI 304/316
4	SHAFT	AISI 420/304/316
5	WASHER	EPDM
6	NUT	AISI 420/304
7	BUSHING	BRONZE
8	PLUG	GJS500
9	DIFUSER	GJS500
10	BOLTS	A2
	PAINTING RAL 5015	Epoxy 250 µm