



CMO VALVES
manufacturing the valve you need

13A SERIES



FABRICATION RANGE

RESILIENT SEAT GATE VALVE
PVC ENDS

UTILIZATION:

- Resilient seat gate valve for PVC pipelines, used for depuration and pumping of dirty waters, fire prevention systems, irrigation, industrial pipelines, etc.
- It has minimum head loss, and it is 100% watertight and full bore.

13 - SERIES

RESILIENT SEAT GATE VALVES PVC ENDS



GENERAL FEATURES:

- Minimum head loss.
- Full bore.
- Repackable under pipeline pressure.
- 100% watertight.
- Bidirectional flow.
- Connection for PVC pipeline.
- Guided gate to ensure the correct sealing.
- Bolts protected against environmental conditions.
- WRAS certificate for drinking water.
- Max. working pressure 16 bar.
- Working temperature between -10°C and 90°C.

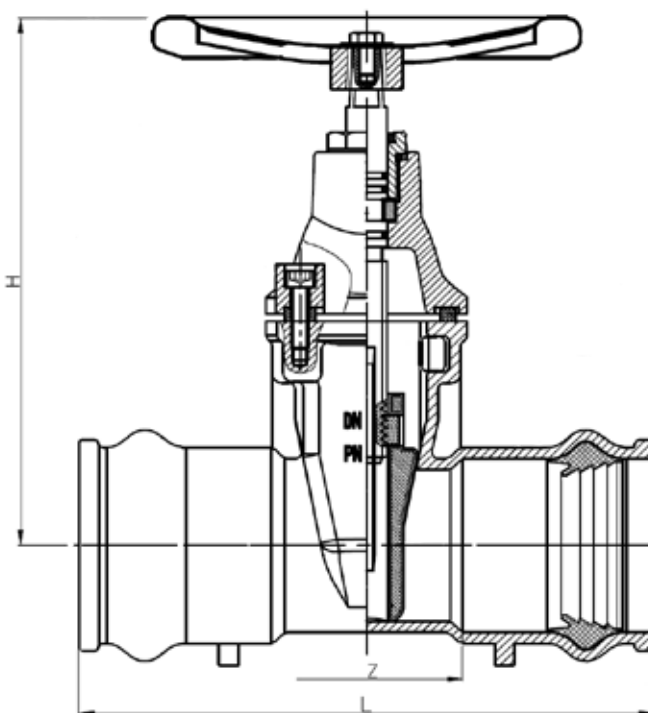
STANDARDS APPLIED:

- Design according to DIN 3352.
- Hydrostatic tests according to EN 12266-1, class A.
- EC Directive.
- Fabrication according to EN 1074-2.
- Distance between flanges according to EN 558 series 15.

DIMENSIONES

DN	Z	L	H	Weight kg.
50/63	85	250	220	8,0
65/75	90	269	250	9,5
80/90	99	298	280	12,0
100/110	114	326	325	16,0
125/125	110	330	365	26,0
150/160	140	390	405	30,0
200/200	150	422	500	44,0
250/250	160	473	595	70,0
300/315	180	541	680	110,0

The images and drawings are non contractual.
The specifications of the shown products could vary without previous notice.



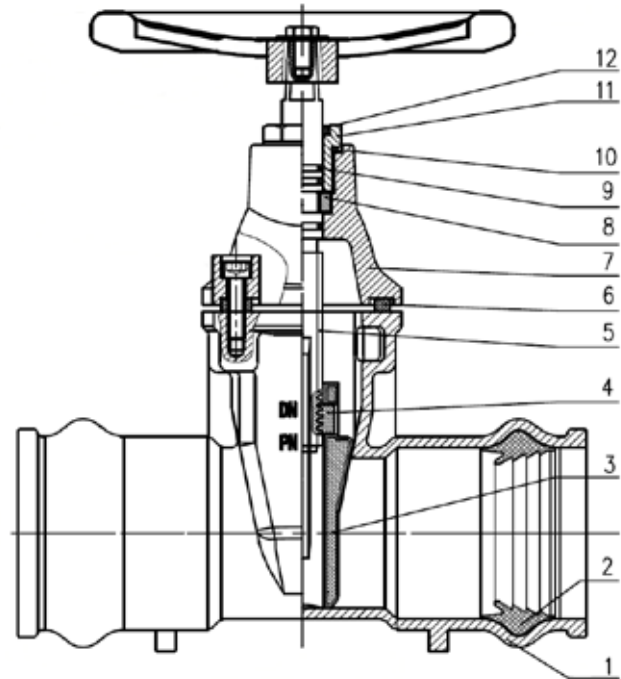
13 - SERIES

RESILIENT SEAT GATE VALVES
PVC ENDS



DESCRIPTION

1	BODY	GJS500
2	PVC RETAINER	EPDM
3	GATE	GJS500+EPDM/NBR
4	NUT	BRASS
5	SHAFT	AISI 420
6	O-RING	EPDM
7	BONNET	GJS500
8	CAP	BRONZE
9	O-RING	EPDM
10	BODY-BONNET GASKET	EPDM
11	GLAND	BRASS
12	GASKET	NBR
	BOLTS	A2
	PAINTING RAL 5015	Epoxi 250 µm



CMO VALVES
manufacturing the valve you need

Amategui Aldea, 142 - 20400 Tolosa - Guipuzcoa (Spain)
(+34) 943 67 33 99 - cmo@cmovalves.com - www.cmovalves.com