



**CMO VALVES**  
manufacturing the valve you need

# 21A SERIES



## FABRICATION RANGE *WAFER BUTTERFLY VALVE*

### UTILIZATION:

- Wafer butterfly valve used for supplying, pumping, irrigation, drinking water supply, treatment and pumping of dirty waters, etc.
- It has low head loss, and it is 100% watertight.

# SERIE - 21

## VÁLVULAS DE MARIPOSA WAFER

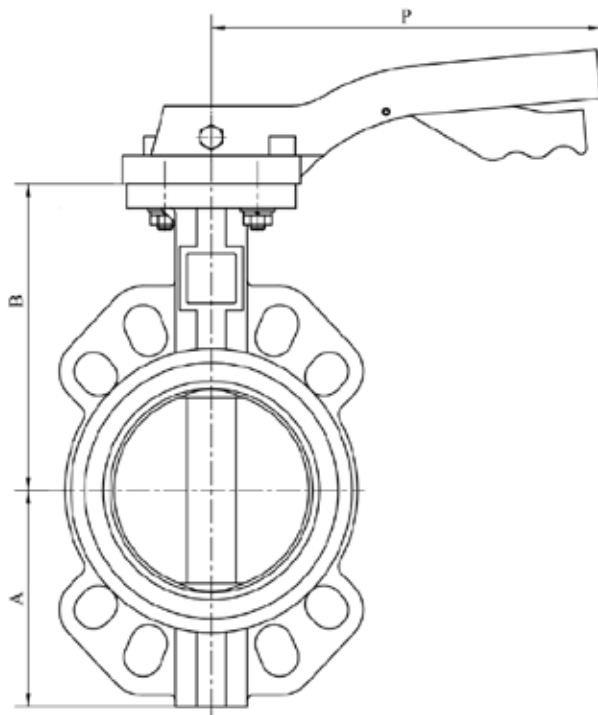


### GENERAL FEATURES:

- Low head loss.
- 100% watertight.
- Bidirectional flow.
- No gaskets needed for installation.
- Stainless steel bolts.
- Max. working pressure 16 bar.
- Working temperature between -10°C and 90°C.

### STANDARDS APPLIED:

- Hydrostatic tests according to EN 12266-1, class A.
- EC Directive.
- Distance between flanges according to EN 558 series 20.
- Top flange (optional) according to ISO 5211.



### DIMENSIONS

DN	A	B	P	Face to Face dist.	Weight
40	70	124	198	33	1.9
50	76	129	198	43	2.5
65	89	136	198	46	2.9
80	95	144	198	46	3.9
100	114	162	270	52	5.2
125	127	188	270	56	7.0
150	139	204	270	56	8.4
200	177	238	270	60	12.0
250	203	282	540	68	22.0
300	242	311	540	78	29.0

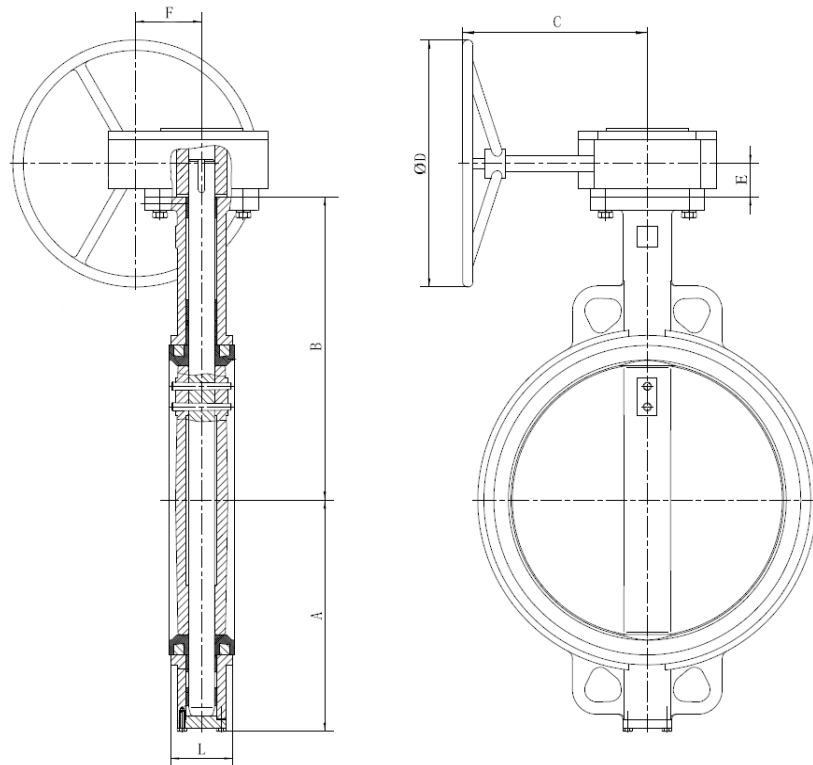
The images and drawings are non contractual.  
The specifications of the shown products could vary without previous notice.

### TOP CONNECTION

DN	40	50	65	80	100	125	150	200	250	300	350	400	450	500	600
FLANGE	F05	F05	F05	F05	F07	F07	F07	F10	F10	F10	F10	F16	F16	F16	F16
SHAFT	9x9	9x9	9x9	9x9	11x11	14x14	14x14	17x17	22x22	22x22	22x22	27x27	27x27	27x27	36x36

# SERIE - 21

## VÁLVULAS DE MARIPOSA WAFER



### DIMENSIONS

DN	A	B	C	D	E	F	L	Weight	DN	A	B	C	D	E	F	L	Weight
40	79	145	144	260	27	43	33	4,5	350	277	368	226	81	42	81	78	46,0
50	85	162					43	5,0	400	308	400	217	125	48	95	102	75,0
65	98	174					45	5,5	450	342	422	217	125	48	95	114	89,0
80	104	181					45	6,0	500	374	479	320	360	115	185	127	128,0
100	123	200					52	7,4	600	459	562	335	360	120	185	154	206,0
125	136	213					54	9,4	700	520	624	353	376	172	240	165	332,0
150	148	225					56	10,7	800	575	672	353	376	17	240	190	436,0
200	186	260	208	360	39	66	60	19,8	900	635	768	385	420	1185	250	203	616,0
250	212	292					66	28,7	1000	685	823	385	420	185	250	216	700,8
300	251	337					77	37,4	1200	839	940	468	495	247	310	254	960,0

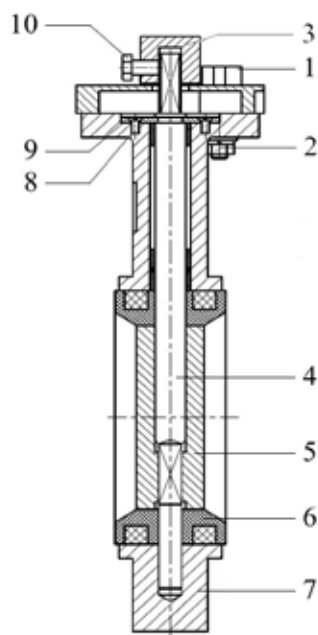


**CMO VALVES**  
manufacturing the valve you need

Amategui Aldea, 142 - 20400 Tolosa - Guipuzcoa (Spain)  
(+34) 943 67 33 99 - [cmo@cmovalves.com](mailto:cmo@cmovalves.com) - [www.cmovalves.com](http://www.cmovalves.com)

# SERIE - 21

## VÁLVULAS DE MARIPOSA WAFER



### DESCRIPTION

<b>1</b>	<i>BOLTS</i>	<i>A2</i>
<b>2</b>	<i>NUTS</i>	<i>A2</i>
<b>3</b>	<i>LEVER</i>	<i>ALUMINUM / GJS400</i>
<b>4</b>	<i>SHAFT</i>	<i>AISI 420</i>
<b>5</b>	<i>DISC</i>	<i>GJS400 / CF8M / AL- BRONZE / DUPLEX</i>
<b>6</b>	<i>SEAT</i>	<i>EPDM</i>
<b>7</b>	<i>BODY</i>	<i>GJS400</i>
<b>8</b>	<i>O-RINGS</i>	<i>EPDM</i>
<b>9</b>	<i>HOLDING PLATE</i>	<i>STEEL 8.8</i>
<b>10</b>	<i>BOLT</i>	<i>A2</i>
	<i>PAINTING RAL 5015</i>	<i>Epoxy 250 µm</i>