



CMO VALVES
manufacturing the valve you need

43A SERIES



FABRICATION RANGE "Y" STRAINERS

UTILIZATION:

- "Y" Strainers used to efficiently retain the elements in the fluid suspension.
- It has a purge plug for a quick and efficient cleaning of the retained elements and it is 100% water tight.

43 -SERIES

"Y" STRAINERS

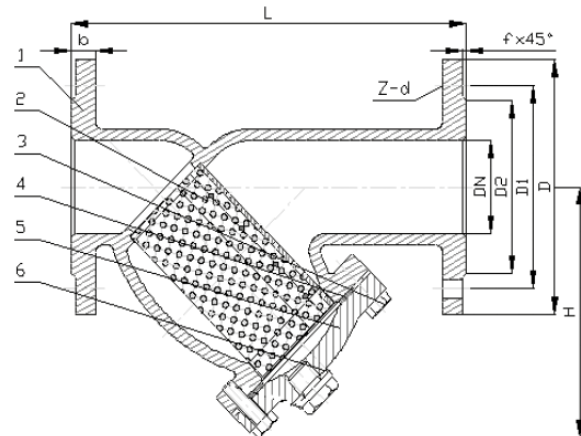


GENERAL FEATURES:

- 100% water tight.
- Purge plug for an easy cleaning.
- Max. working pressure according to design pressure PN10/16.
- Working temperature between -10°C and 90°C.

STANDARDS APPLIED:

- Hydrostatic tests according to EN 12266-1, class A.
- EC directive.
- Side flanges according to ISO 7005-1.
- Distance between faces according to DIN 3202 F1.



DIMENSIONS

DN	L	D	D1	b	n-Ød	H	Ø Screen holes (mm)	Weight
50	230	165	125	20	4-Ø19	138	1.7	5,0
65	290	185	145	20	4-Ø19	177	1.7	7,0
80	310	200	160	22	8-Ø19	195	1.7	9,6
100	350	220	180	24	8-Ø19	225	3	12,5
125	400	250	210	26	8-Ø18	276	3	21,0
150	480	285	240	26	8-Ø22	310	3	24,2
200	600	340	295	30	8-Ø22	385	3	36,0
250	730	405	355	32	12-Ø26	462	3	57,0
300	850	460	410	32	12-Ø26	570	3	81,0
350	850	520	470	36	16-Ø26	740	3	125,0
400	1100	580	525	38	16-Ø30	850	3	220,0
450	1100	640	585	40	20-Ø30	920	3	360,0

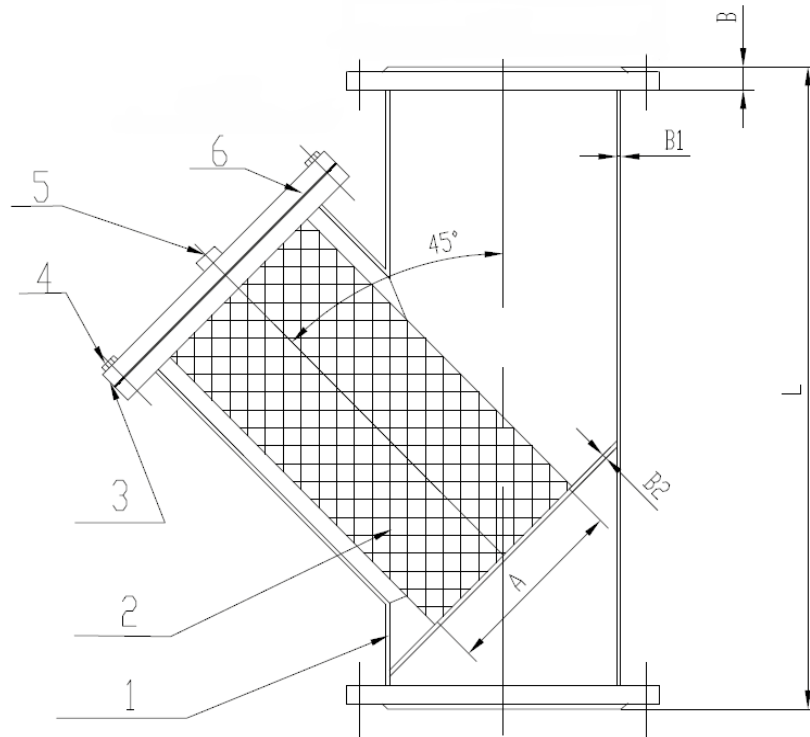
DESCRIPTION:

		MATERIAL
1	BODY	GJS400
2	SCREEN	AISI 304
3	BOLTS	STEEL 8.8
4	O-RING	EPDM
5	BONNET	GJS400
6	PURGE PLUG	STEEL 8.8
	PAINTING RAL 5015	Epoxy 250 µm

The images and drawings are non contractual.
The specifications of the shown products could vary without previous

43-SERIES

"Y" STRAINERS



DIMENSIONS

DN	L	B	B1	B2	Ø Screen holes (mm)	Peso
500	1460	44	10	10	3	550
600	1680	54	10	12	3	695

DESCRIPTION:

		MATERIAL
1	BODY	WCB
2	SCREEN	AISI 304
3	BONNET	WCB
4	BOLTS	STEEL 8.8
5	PURGE PLUG	STEEL 8.8
6	GASKET	EPDM / GRAPHITE
	PINTURA RAL 5015	Epoxy 250 µm